

SPECIFICATIONS

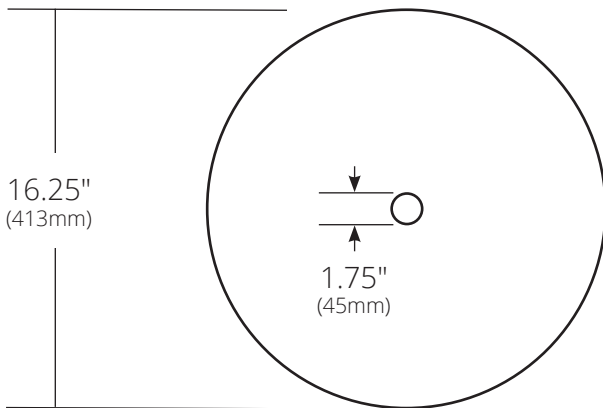
VERONA

Murano Collection

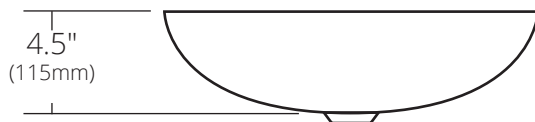


Shown in Abyss

TOP VIEW



SIDE VIEW



- MG1717-AS Abyss
- MG1717-BO Bianco
- MG1717-BR Beachcomber

PRODUCT DETAILS

- 16.25" x 4.5" OD
(413mm x 115mm)
- 15.75" x 4.25" ID
(394mm x 108mm)
- Handcrafted, Certified Murano Glass
- 1.75" (45mm) drain opening

INSTALLATION

- Vessel
- 3.25" vessel cutout required for countertop

COORDINATING PRODUCTS

- Drains: DR120, DR130 or DR150
- Vanity tops with vessel cutout

STANDARDS COMPLIANCE

- UPC/cUPC compliant

IMPORTANT

Due to the handcrafted nature of this product, it will vary in finish, texture, and other details. Dimensions may vary up to 1/2" (13mm).