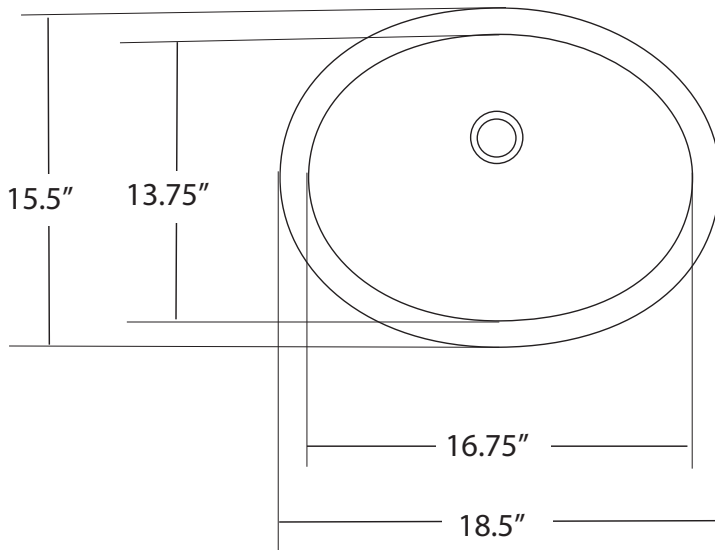


## SPECIFICATIONS

### Rolled Classic



CPS140- Natural  
CPS240- Antique  
CPS540- Brushed Nickel



#### PRODUCT DETAILS

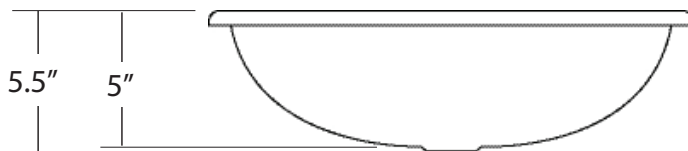
- \* 18.5" x 15.5" x 5.5" OD
- \* 16.75" x 13.75" x 5" ID
- \* Hand hammered 18 gauge recycled copper
- \* 1.5" drain opening
- \* Dimensions are not exact and may vary  $\pm 1/2"$

#### INSTALLATION

- \* Lavatory
- \* Drop-in

#### COORDINATING PRODUCTS

- \* Drains: DR120, DR150 or DR160



#### STANDARDS COMPLIANCE

- \* IAPMO Listed / cUPC

#### IMPORTANT

Due to the handcrafted nature of this product, it will vary in finish, texture, hammering, and other details. Dimensions may vary up to 1/2". We strongly recommend that you wait for the actual product before making any installation cuts.