

SPECIFICATIONS

RHAPSODY



CPK295 Antique
CPK595 Brushed Nickel

PRODUCT DETAILS

- 33" x 20.5" x 10.25" OD (838mm x 521mm x 260mm)
- 29.25" x 16.75" x 9.75" (743mm x 425mm x 248mm)
- Hand hammered, 16 gauge recycled copper
- Apron extends 2" on sides
- 3.5" (89mm) Drain opening

INSTALLATION

- Undermount

COORDINATING PRODUCTS

- Drains: DR320 or DR340
- Bottom Grid: GR2715

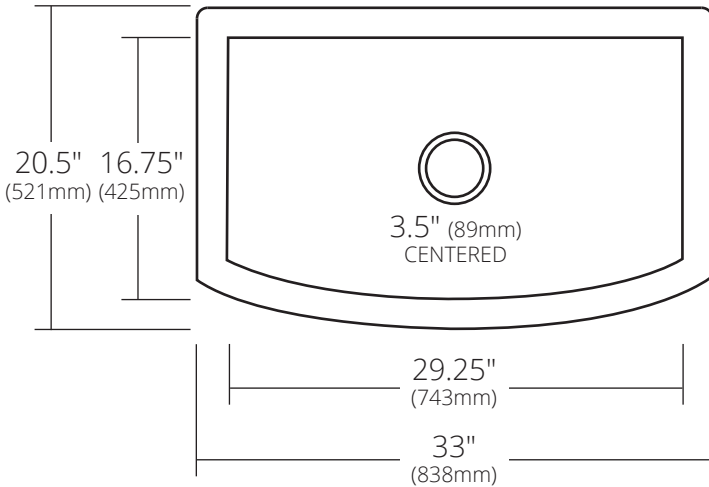
STANDARDS COMPLIANCE

- UPC/cUPC compliant

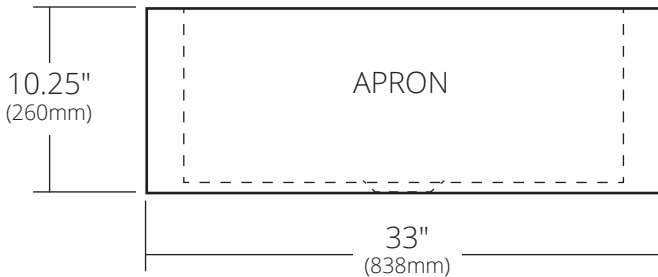
IMPORTANT

Due to the handcrafted nature of this product, it will vary in finish, texture, hammering, and other details. Dimensions may vary up to 1/4" (6mm). We strongly recommend waiting for the actual product before making any installation cuts.

TOP VIEW



FRONT VIEW



SIDE VIEW

