

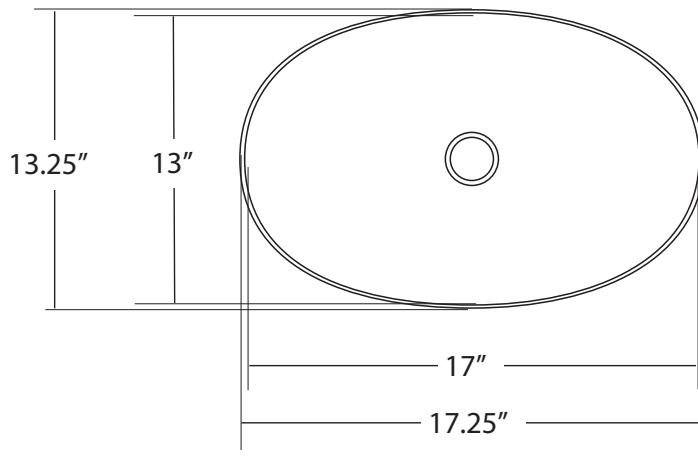
## SPECIFICATIONS

### Maestro Oval

MAESTRO COLLECTION



CPS269- Antique  
CPS369- Tempered  
CPS569- Brushed Nickel



#### PRODUCT DETAILS

- 17.25" x 13.25" x 6" OD
- 17" x 13" x 5.75" ID
- Hand hammered 15 gauge recycled copper
- 1.5" drain opening
- Dimensions are not exact and may vary  $\pm 1/2$ "

#### INSTALLATION

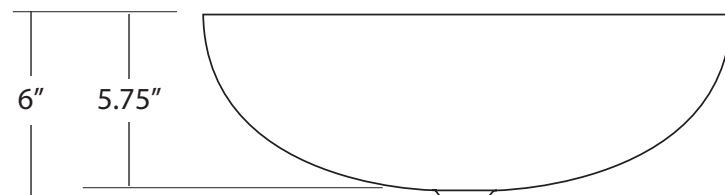
- Lavatory
- Vessel

#### COORDINATING PRODUCTS

- Drains: DR120, DR150 or DR160

#### STANDARDS COMPLIANCE

- IAPMO Listed / cUPC



#### IMPORTANT

Due to the handcrafted nature of this product, it will vary in finish, texture, hammering, and other details. Dimensions may vary up to  $1/2$ ". We strongly recommend that you wait for the actual product before making any installation cuts.