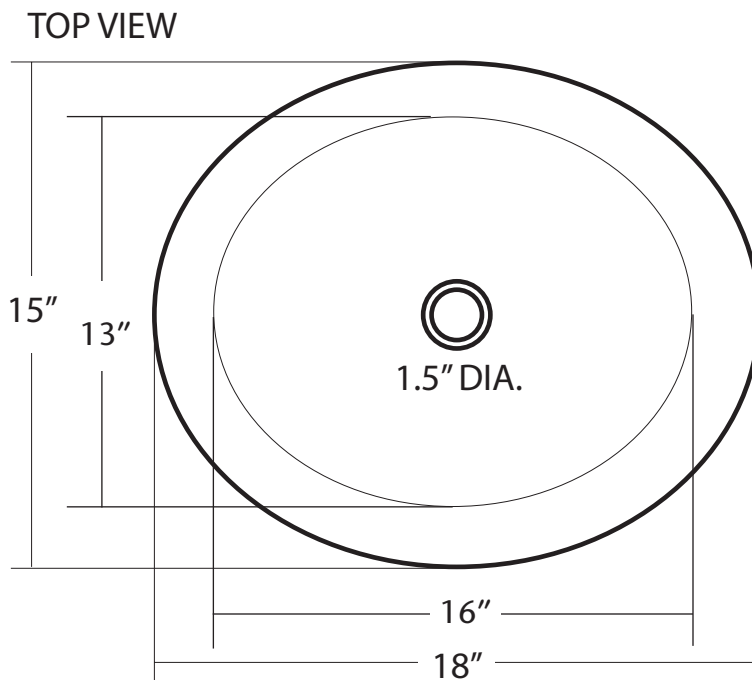


## SPECIFICATIONS

### Maestro Lotus

MAESTRO COLLECTION



CPS286 - Antique  
CPS386 - Tempered  
CPS586 - Brushed Nickel

#### PRODUCT DETAILS

- 18" x 15" x 5" OD
- 16" x 13" x 4.5" ID
- Hand hammered 15 gauge recycled copper
- 1.5" drain opening
- Dimensions are not exact and may vary  $\pm 1/2"$

#### INSTALLATION

- Drop-in

#### COORDINATING PRODUCTS

- Drains: DR120, DR150 or DR160

#### STANDARDS COMPLIANCE

- IAPMO Listed / cUPC

#### IMPORTANT

Due to the handcrafted nature of this product, it will vary in finish, texture, hammering, and other details. Dimensions may vary up to  $1/2"$ . We strongly recommend that you wait for the actual product before making any installation cuts.

