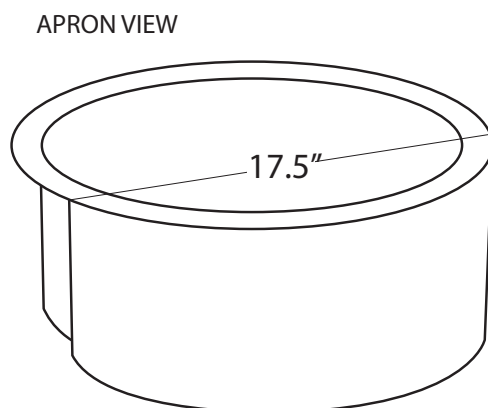
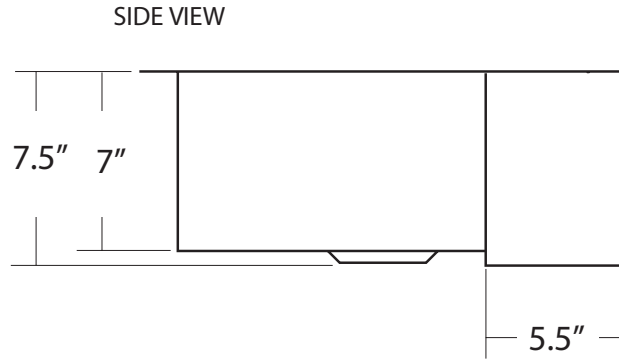
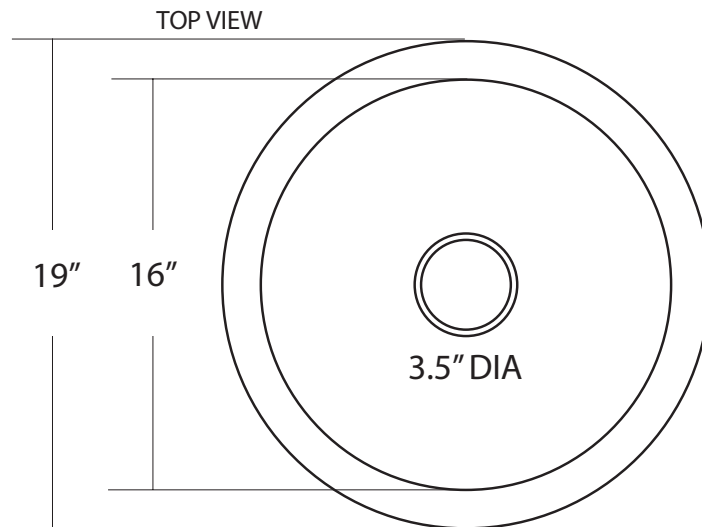


SPECIFICATIONS

Fiesta



CPS214- Antique
CPS514- Brushed Nickel



PRODUCT DETAILS

- * 19" x 7.5" OD
- * 16" x 7" ID
- * Hand hammered 16 gauge recycled copper
- * Apron extends 5.5" on sides
- * 3.5" drain opening
- * Dimensions are not exact and may vary $\pm 1/2"$

INSTALLATION

- * Undermount

COORDINATING PRODUCTS

- * Drains: DR320 or DR340
- * Bottom Grid: GR914

STANDARDS COMPLIANCE

- * IAPMO Listed / cUPC

IMPORTANT

Due to the handcrafted nature of this product, it will vary in finish, texture, hammering, and other details. Dimensions may vary up to 1/2". We strongly recommend that you wait for the actual product before making any installation cuts.