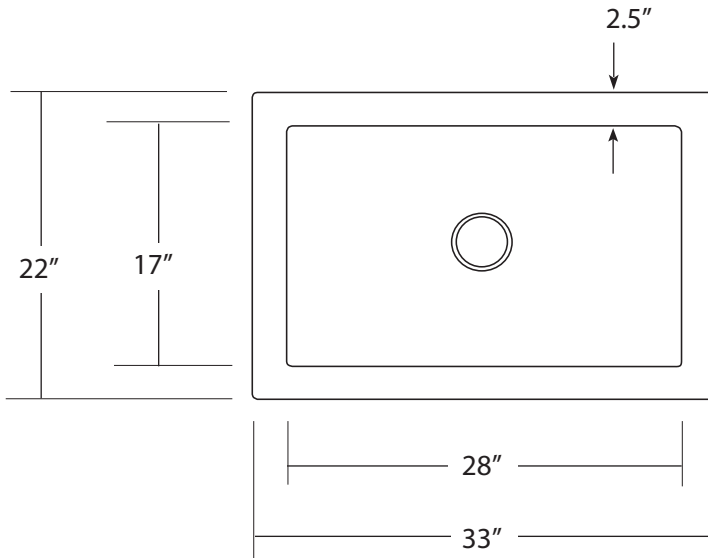


## Farmhouse



CPS273- Antique  
CPS573- Brushed Nickel



### PRODUCT DETAILS

- \* 33" x 22" x 10.5" OD
- \* 28" x 17" x 10" ID
- \* Hand hammered 16 gauge recycled copper
- \* Apron extends 3.5" on sides
- \* 3.5" drain opening
- \* Dimensions are not exact and may vary  $\pm 1/2"$

### INSTALLATION

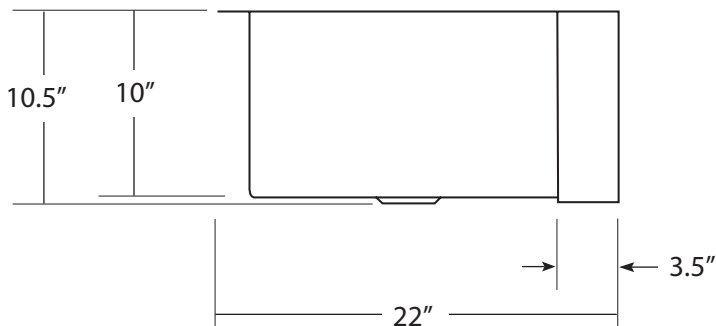
- \* Undermount

### COORDINATING PRODUCTS

- \* Drains: DR320 or DR340
- \* Bottom Grid: GR972

### STANDARDS COMPLIANCE

- \* IAPMO Listed / cUPC



### IMPORTANT

Due to the handcrafted nature of this product, it will vary in finish, texture, hammering, and other details. Dimensions may vary up to  $1/2"$ . We strongly recommend that you wait for the actual product before making any installation cuts.