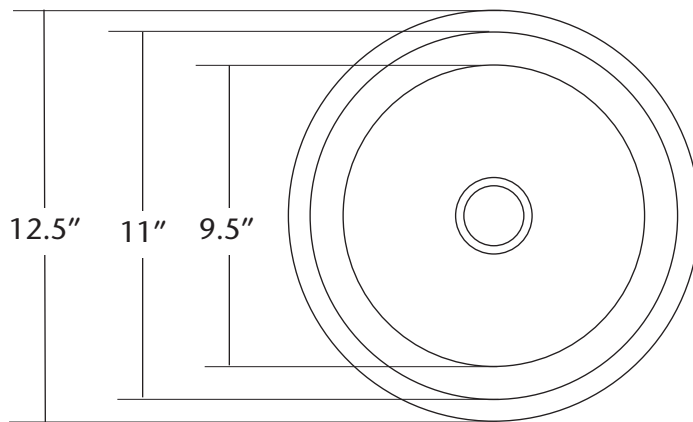


## SPECIFICATIONS

### Diego



CPS135- Natural  
CPS235- Antique  
CPS535- Brushed Nickel



#### PRODUCT DETAILS

- \* 12.5" x 7" OD
- \* 11" x 6.5" ID
- \* Hand hammered 16 gauge recycled copper
- \* 2" drain opening
- \* Dimensions are not exact and may vary  $\pm 1/2$ "

#### INSTALLATION

- \* Universal Mount

#### COORDINATING PRODUCTS

- \* Drains: DR220

#### STANDARDS COMPLIANCE

- \* IAPMO Listed / cUPC

#### IMPORTANT

Due to the handcrafted nature of this product, it will vary in finish, texture, hammering, and other details. Dimensions may vary up to 1/2". We strongly recommend that you wait for the actual product before making any installation cuts.

