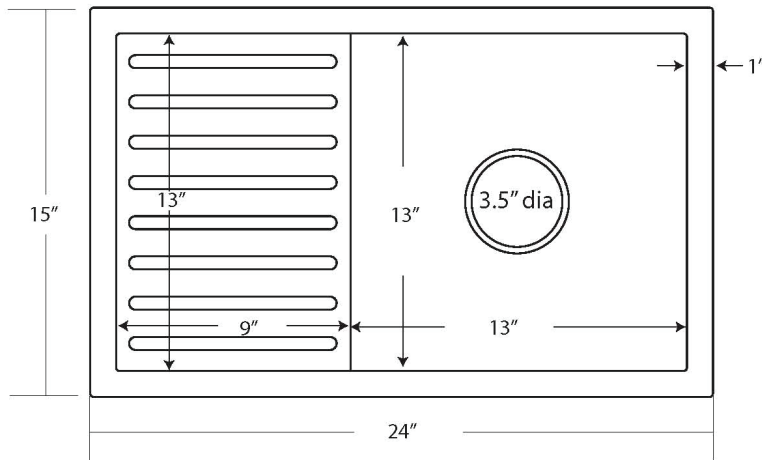


SPECIFICATIONS

Cantina Pro



CPS233- Antique
CPS533- Brushed Nickel

PRODUCT DETAILS

- * 24" x 15" x 7.5" OD
- * Basin: 13" x 13" x 7" ID
- * Hand hammered 16 gauge recycled copper
- * 3.5" drain opening
- * Dimensions are not exact and may vary $\pm 1/2$ "

INSTALLATION

- * Undermount

COORDINATING PRODUCTS

- * Drains: DR320 or DR340
- * Bottom Grid: GR934

STANDARDS COMPLIANCE

- * IAPMO Listed / cUPC

IMPORTANT

Due to the handcrafted nature of this product, it will vary in finish, texture, hammering, and other details. Dimensions may vary up to $1/2$ ". We strongly recommend that you wait for the actual product before making any installation cuts.

