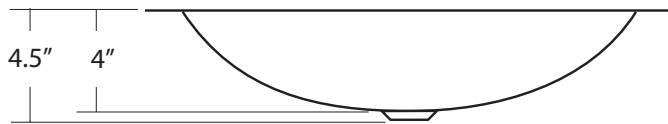
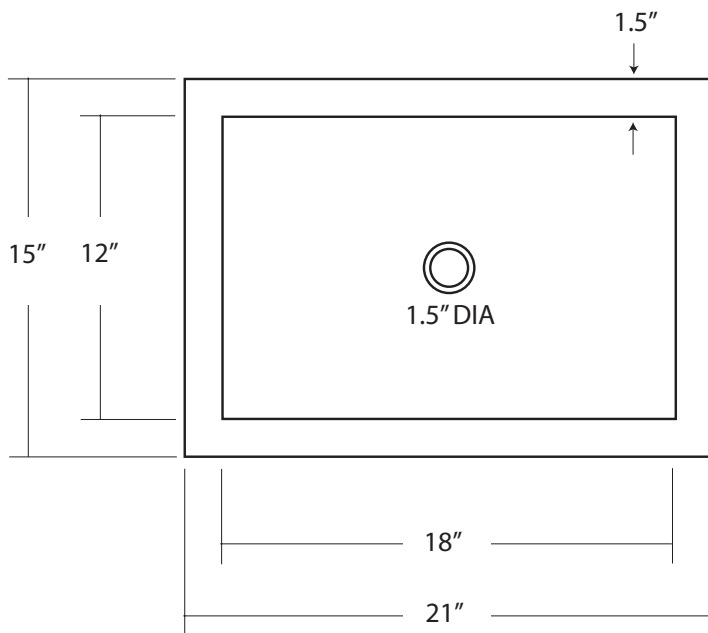


## SPECIFICATIONS

### Avila



CPS245- Antique  
CPS545- Brushed Nickel



#### PRODUCT DETAILS

- \* 15" x 21" x 4.5" OD
- \* 12" x 18" x 4" ID
- \* Hand hammered 16 gauge recycled copper
- \* 1.5" drain opening
- \* Dimensions are not exact and may vary  $\pm 1/2"$

#### INSTALLATION

- \* Lavatory
- \* Undermount

#### COORDINATING PRODUCTS

- \* Drains: DR120, DR150 or DR160

#### STANDARDS COMPLIANCE

- \* IAPMO Listed / cUPC

#### IMPORTANT

Due to the handcrafted nature of this product, it will vary in finish, texture, hammering, and other details. Dimensions may vary up to  $1/2"$ . We strongly recommend that you wait for the actual product before making any installation cuts.