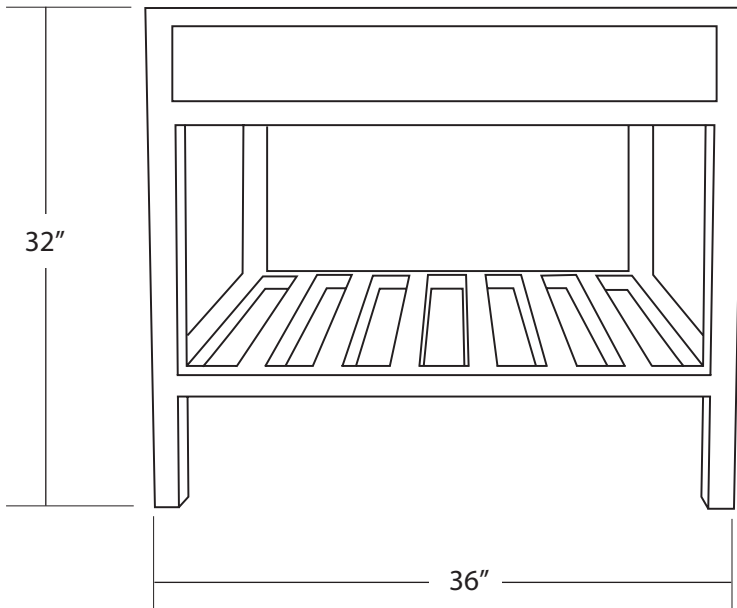


SPECIFICATIONS

36" Cuzco Vanity



VNR362- Antique
VNR365- Brushed Nickel

PRODUCT DETAILS

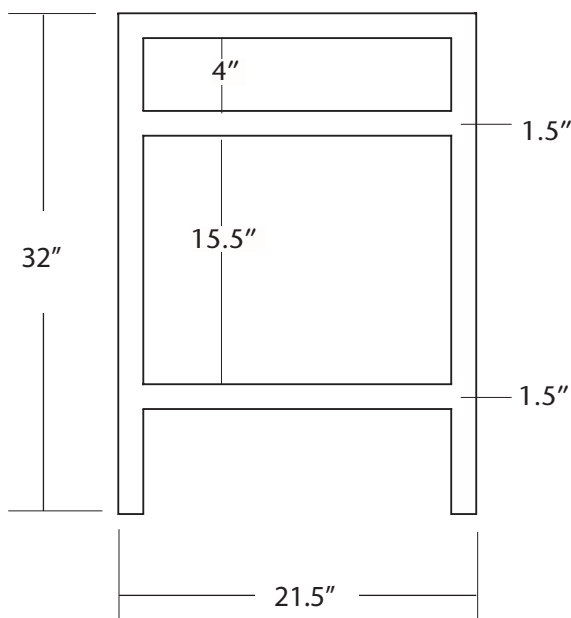
- 36" x 21.5" x 32"
- Wrought iron
- Hand hammered 16 gauge recycled copper
- Dimensions are not exact and may vary $\pm 1/2"$

INSTALLATION

- Freestanding vanity base

COORDINATING PRODUCTS

- Native Trails stone or Sedona vanity tops
- Decorative bottle trap



IMPORTANT

Due to the handcrafted nature of this product, it will vary in finish, texture, hammering, and other details. Dimensions may vary up to $1/2"$.