



VAN36A1-018-BRS or SLV

36" WOOD VANITY WITH MOTHER OF PEARL WITH 18" ARTISAN GLASS HARDWARE ÉGLOMISÉ PYRAMID GLASS

DETAILS

Wood Grain Cabinet with Matte Finish

Full Finished Solid Back *opening should be cut by installer*



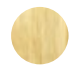

Adjustable Interior Shelf

3 Way Adjustable European Soft Close Hinges

OD: **W 36" x D 22"**

Vanities are Hand-crafted

HARDWARE AND LEG FINISH OPTIONS

	PB	Polished Brass		PN	Polished Nickel
	SB	Satin Brass		SN	Satin Nickel

36" VANITY TOP OPTIONS

(Vanity Top Sold Separately See Vanity Top Spec Sheet for Details)

Outside Dimensions W 36" D 22" H 1.5"

(Vanity Top includes 4" Backsplash)

WHITE VANITY TOPS

VT36W-01 18" x 12" Sink Cutout with 1 Faucet Hole

VT36W-03 18" x 12" Sink Cutout with 3 Faucet Holes

GRAY VANITY TOPS

VT36G-01 18" x 12" Sink Cutout with 1 Faucet Hole

VT36G-03 18" x 12" Sink Cutout with 3 Faucet Holes

INSTALLATION

We recommend consulting a professional if you are unfamiliar with installing bathroom fixtures and plumbing. Linkasink accepts no liability for any damage to the floor, walls, plumbing, or personal injury during installation.

CARE

Clean vanity, hardware, and countertop with a soft cloth dampened with water. Avoid any harsh abrasives and harsh chemicals/acidic cleaning products.

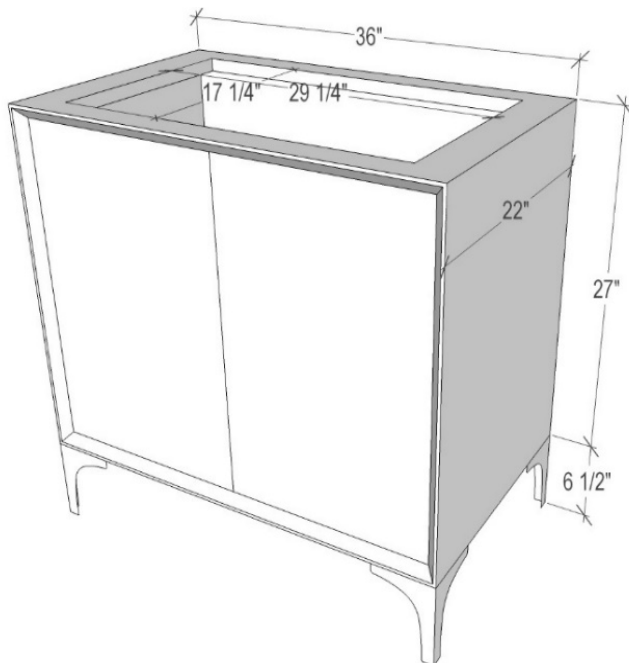
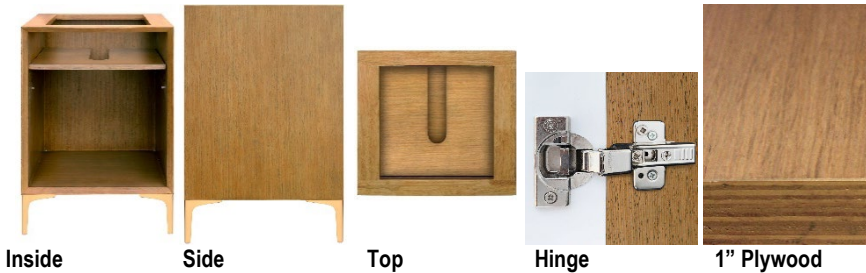
For hardware: A clear paste wax may be applied periodically to protect the finish and help with water spotting.

WARRANTY

Linkasink warranties our product to be free from manufacturing defect for the life of the product. Warranty does not cover improper care, neglect, abuse or normal wear-and-tear.



Shown in SB



DIMENSIONS WILL VARY

DO NOT use this sheet as a guide for countertop cuts. Due to the handmade nature of each product, templates are not provided.