



Shown in SS

## CS016

SMOOTH SMALL ROUND FLAT-BOTTOM BAR

### DETAILS

Installation Type: Drop-In or Undermount

Material: Smooth Metal

OD: 16" x 7"

ID: 14"

Drain Size: Standard 2" Drain, No Overflow

Dimensions are approximate. Variation in size to be expected.

Each sink is hand-crafted; no two sinks will be the same. All smooth sinks are expected to have variation in the texture and finish due to the handmade process and the nature of living finishes.



### AVAILABLE FINISHES

AVAILABLE FINISHES			BASE MATERIAL
	<b>SRG</b>	Satin Rose Gold	Copper
	<b>PRG</b>	Polished Rose Gold	Copper
	<b>SS</b>	Satin Stainless Steel	Stainless Steel
	<b>PS</b>	Polished Stainless Steel	Stainless Steel
	<b>UB</b>	Satin Unlacquered Brass	Brass
	<b>PB</b>	Polished Unlacquered Brass	Brass

### AVAILABLE DRAINS

<b>D001</b>	2" Bar Drain
-------------	--------------

### INSTALLATION

Drain should be installed first to ensure fit.

**DROP-IN:** Cut opening large enough for the sink to be "dropped in" to countertop.

**UNDERMOUNT:** Cuts in countertop are up to the discretion of the installer. Clips or other installation method must be provided by the fabricator/installer.

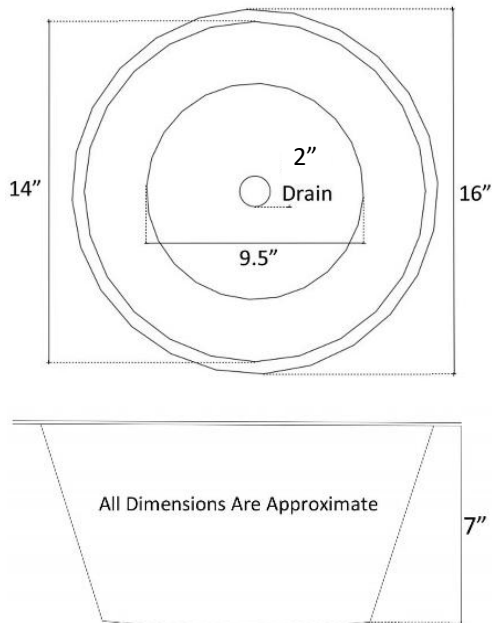
Use silicone adhesive to adhere sink to countertop. Clean any excess silicone from sink surface to avoid damaging the finish.

### CARE

This sink has a living finish (excluding SS & PS) which will change with time and use. Use mild soap and water for everyday cleaning. Avoid any harsh abrasives and chemicals, acidic cleaning products, and antibacterial hand soap. A paste wax may be applied periodically to protect the finish and help with water spotting.

### WARRANTY

Linkasink warranties our product to be free from manufacturing defect for the life of the product. Warranty does not cover improper care, neglect, abuse, normal wear-and-tear, or changes to the living finish.



### DIMENSIONS WILL VARY

**DO NOT** use this sheet as a guide for countertop cuts. Due to the handmade nature of each product, templates are not provided.