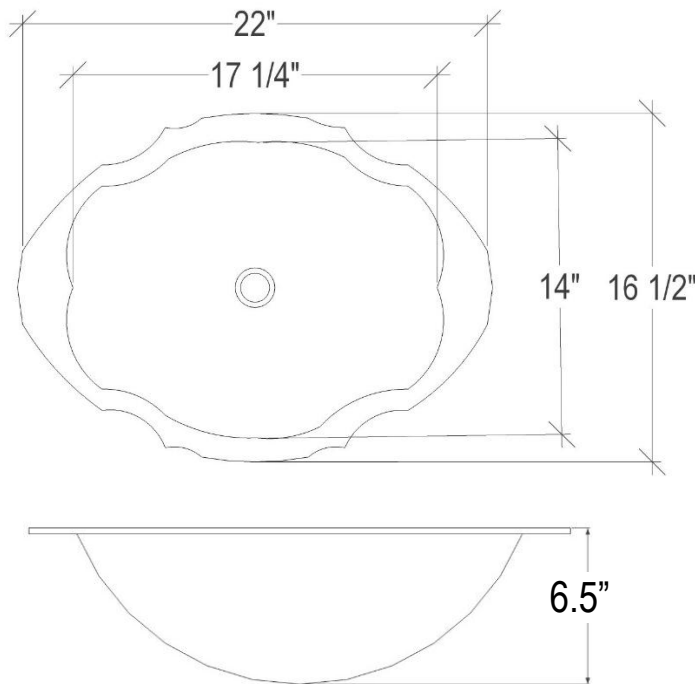




SHOWN IN SS



B038

TAXCO

DETAILS

Installation Type: Drop-In

Materials: Smooth Metals

OD: 22" x 16.5" x 6.5"

ID: 17.25" x 14"

Drain Size: Standard 1.5" lavatory drain; No overflow

Dimensions are approximate. Variation in size to be expected.

Each sink is hand-crafted; no two sinks will be the same. All smooth sinks are expected to have variation in the finish and texture due to the nature of living finishes and the handmade process.

AVAILABLE FINISHES

MATERIAL

	UB	Satin Unlacquered Brass	Brass
	PB	Polished Unlacquered Brass	Brass
	SS	Satin Stainless Steel	Stainless-Steel
	PS	Polished Stainless Steel	Stainless-Steel

AVAILABLE DRAINS

D004	Grid Strainer
D005	Lift & Turn
D006	Pop-up w/ horizontal lift-rod
D008	Push pop-up
D011 – D017	Decorative Grid Strainers

INSTALLATION

Drain should be installed first to ensure correct fit.

Cuts in countertop are up to the discretion of the installer. Use silicone adhesive to adhere sink to countertop. Clean any excess silicone from the sink surface to avoid damaging the finish.

CARE

This sink has a living finish (excluding SS & PS) which will change with time and use. Use mild soap and water for everyday cleaning. Avoid any harsh abrasives and chemicals, acidic cleaning products, and antibacterial hand soap. A paste wax may be applied periodically to protect the finish and help with water spotting.

WARRANTY

Linkasink warranties our product to be free from manufacturing defect for the life of the product. Warranty does not cover improper care, neglect, abuse, normal wear-and-tear, or changes to the living finish.

DIMENSIONS WILL VARY

DO NOT use this sheet as a guide for countertop cuts. Due to the handmade nature of each product, templates are not provided.