

# AG01B

Artisan Glass Medium Rectangle Stripe

## DETAILS

Installation Type: Undermount (Drop-in available for an upcharge)

Material: Glass

OD: 20" x 14" x 14"

ID: 18" x 12"

Standard 1.5" Drain, No Overflow

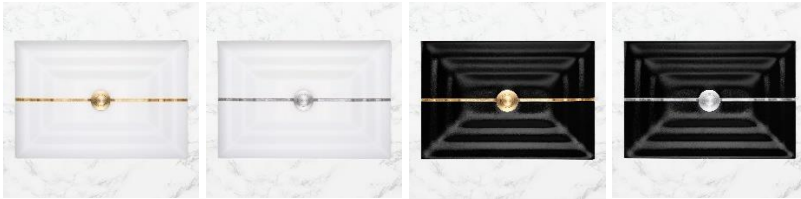
Dimensions are approximate. Variation in size is to be expected.

Each sink is hand-crafted; no two sinks will be the same. All handmade glass sinks are expected to have inherent and unique markings such as air bubbles, leaf marks, surface pinholes and maker's marks.

See our ["Artisan Glass Fact Sheet"](#) for additional details.



Shown in AG01B-01SLV



SINK FINISHES			STRIPE FINISHES		
01	White		BRS	Brass	
04	Black		GLD	Gold	
			SLV	Silver	

## AVAILABLE DRAINS

- D004 Grid Strainer
- D005 Lift and Turn
- D006 Pop-Up with Horizontal Lift Rod
- D011 – D017 Decorative Grid Strainer

**Do NOT use compression-type drains (i.e click-clack, press-to-close/open). Hand Tighten drain.**

## INSTALLATION

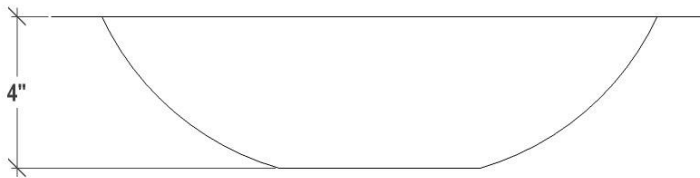
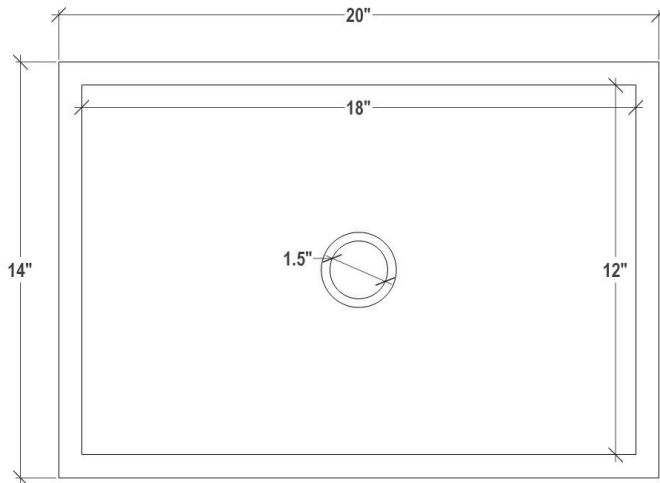
Cuts in countertop are up to the discretion of the installer. Use the actual sink as template. Check fit of sink and drain before installing. Use silicone adhesive to adhere sink to countertop. Clean any excess silicone from sink surface to avoid discoloration. Do **NOT** install sink using clips. **Hand-tighten drain** – do not overtighten. Conversion kit for drain installation is included with each sink.

## CARE

Mild soap and water for everyday cleaning. Non-ammonia-based glass cleaner may also be used. Avoid any harsh abrasives, chemicals, and acidic cleaning products.

## WARRANTY

Linkasink warranties our product to be free from manufacturing defect for the life of the product. Warranty does not cover improper care, neglect, abuse or normal wear-and-tear.



### DIMENSIONS WILL VARY

**DO NOT** use this sheet as a guide for countertop cuts. Due to the handmade nature of each product, templates are not provided.