

Hotel Collection

Large Bar Sink
Model HOT-1722ST



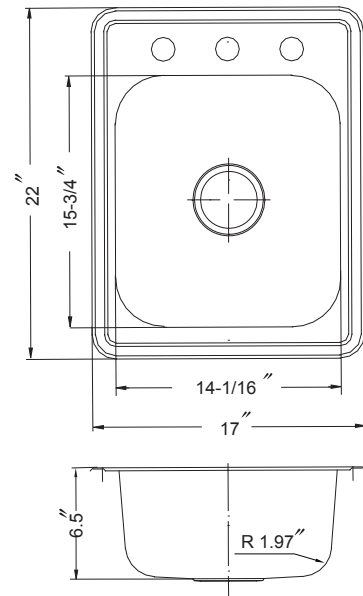
HOT-1722ST

FEATURES

- Premium grade T-304 stainless steel
- 6-1/2" depth • 3 holes
- 22 gauge
- StoneShield undercoating over Sound Deadening pad
- Fits 21" sink base
- 3-1/2" drain opening
- Supplied with fasteners and instructions
- Complies with ASME A112.19.3-2000, cUPC®
- Lifetime Limited Warranty



ASME A112.19.3-2008



OPTIONAL ACCESSORIES

- Bottom Grid: SWG-1214
- Cutting Board : CUT-1517
- Strainer: BAS-2000-SS

OVERALL DIMENSIONS	EACH BOWL	CUTOUT SIZE	PACKAGING*	WEIGHT*
17" x 22"	14-1/16" x 15-3/4"	16-1/4" x 21-1/4"	1/16/40 pcs.	9/180/260 lbs.

*Standard packaging: Single boxed /Pallet of single boxed/Pallet of bulk pack.
All dimensions are in inches. Specifications subject to change without notice.

Project/Job name _____

Architect/Engineer _____

Contractor _____

Model _____ Q'ty _____

Notes _____

Installation profile

