

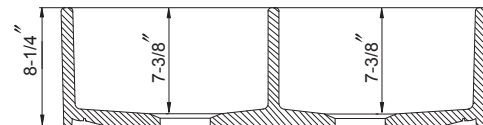
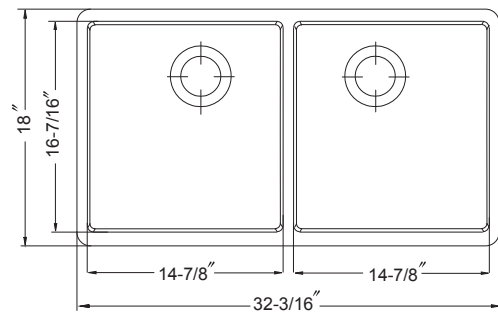
Chelsea Fireclay Collection
Fire Clay Undermount Double Bowl
Model CHE-3318DHU-WH - White
CHE-3318DHU-BQ - Biscuit



CHE-3318DHU

FEATURES

- Non-porous glossy surface
- 7-3/8" depth
- 3-1/2" drain opening
- Chip, crack and scratch resistant
- 2 distinctive colors
- Fits 36" sink base
- Supplied with fasteners and instructions
- No cut out template is supplied as each sink dimension will vary due to the nature of fireclay manufacturing process.
- Lifetime Limited Warranty



OPTIONAL COLORS



White Biscuit

Color variations possible due to printing constraints.

OVERALL DIMENSIONS	EACH BOWL	PACKAGING*	WEIGHT*
32-3/16" x 18"	14-7/8" x 16-7/16"	1/10 pcs.	110/1140lbs.

*Standard packaging: Single boxed /Pallet of single boxed.
 All dimensions are in inches. Specifications subject to change without notice.

OPTIONAL ACCESSORIES

Bottom Grid: SWG-1415FL (Left bowl),
 SWG-1415FR (Right bowl)
 Strainer : BAS-2000-SS

Project/Job name _____

Architect/Engineer _____

Contractor _____

Model _____ Q'ty _____

Notes _____