

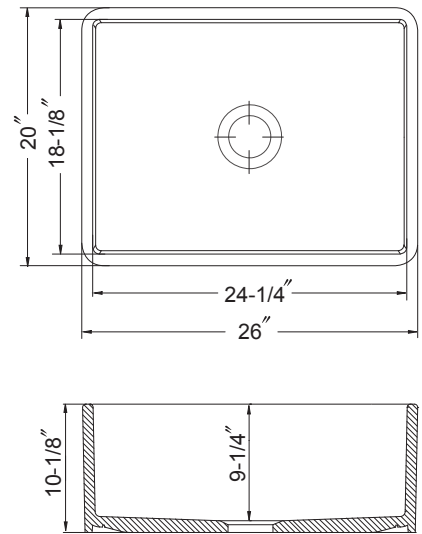
Chelsea Fireclay Collection
Fire Clay Apron Front Large Single Bowl
Model CHE-2620SA-WH - White
CHE-2620SA-BQ - Biscuit



CHE-2620SA

FEATURES

- Apron Front Installation
- Non-porous glossy surface
- 9-1/4" depth
- 3-1/2" drain opening
- Chip, crack and scratch resistant
- 2 distinctive colors
- Requires Custom Cabinet
- Supplied with fasteners and instructions
- No cut out template is supplied as each sink dimension will vary due to the nature of fireclay manufacturing process.
- Lifetime Limited Warranty



OPTIONAL COLORS



White **Biscuit**

Color variations possible due to printing constraints.

OVERALL DIMENSIONS	EACH BOWL	PACKAGING*	WEIGHT*
26" x 20"	24-1/4" x 18-1/8"	1/10 pcs.	90/940lbs.

*Standard packaging: Single boxed /Pallet of single boxed.
 All dimensions are in inches. Specifications subject to change without notice.

OPTIONAL ACCESSORIES

Bottom Grid: SWG-2418F
 Strainer : BAS-2000-SS

Project/Job name _____

Architect/Engineer _____

Contractor _____

Model _____ Q'ty _____

Notes _____