

IMAGINE SERIES

Imagine Bar Faucet

- Model** **IMBA-4000 BB** : Brushed Brass
IMBA-4000 BN : Brushed Nickel
IMBA-4000 GR : Graphite
IMBA-4000 MB : Matte Black
IMBA-4000 OB : Oil Rubbed Bronze
IMBA-4000 PC : Polished Chrome
IMBA-4000 PN : Polished Nickel

- *IMBA-4000 MW** : Matte White
***IMBA-4000 PW** : Pewter
***IMBA-4000 RG** : Rose Gold

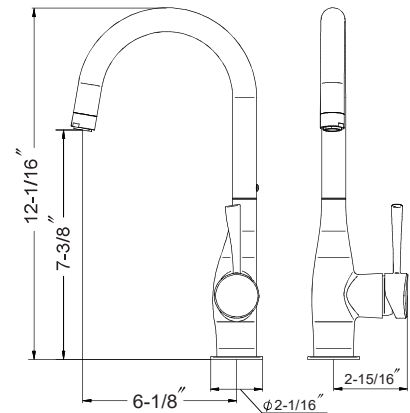
* Available Non-Stock Finishes



IMBA-4000

FEATURES

- Solid brass body construction
- Forward action lever with 15 degree rear limited handle - will not hit backsplash
- All brass body, ceramic disc cartridge
- Oversized deck mounting lock nut for ease of installation
- Available in 10 finish options
- Nylon hoses for increased durability and flexibility
- All HamatUSA faucets are ICC certified to meet or exceed US State and Federal plumbing codes and low lead safety standards
- Limited Lifetime Warranty



AVAILABLE FINISHES

HAMATUSA has a wide range of finish options, utilizing various technologies: fully automated polishing and brushing plating line, electrostatic powder coating line, and PVD capabilities that allow for a vast range of different finishes such as metallic, brass, pewter, copper and practically any other finish possible.



Brushed Brass



Brushed Nickel



Graphite



Matte Black



Matte White



Oil Rubbed Bronze



Pewter



Polished Chrome



Polished Nickel



Rose Gold

Project/Job name _____
 Architect/Engineer _____
 Contractor _____
 Model _____ Q'ty _____
 Notes _____