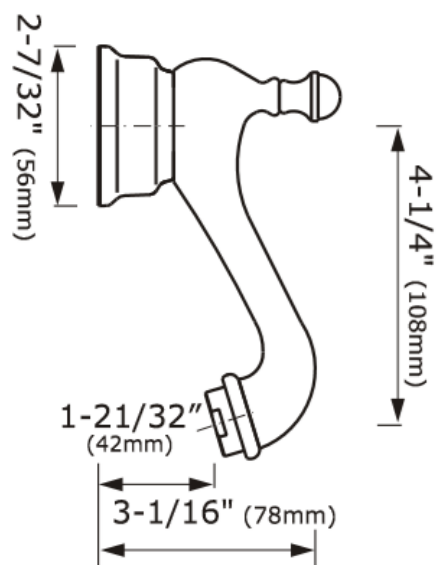
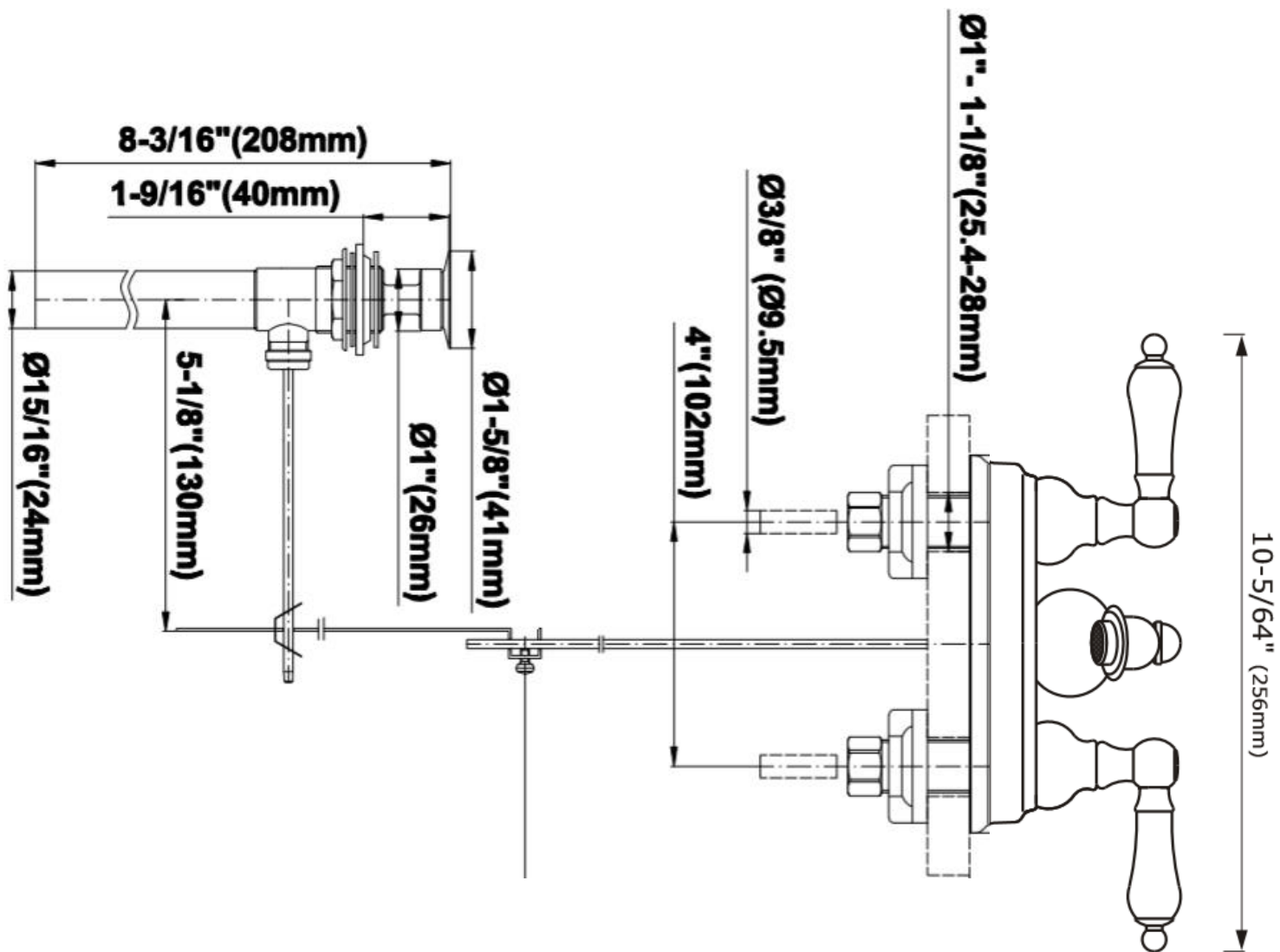


# G-1120-LM1



**GRAFF**<sup>®</sup>  
CUTTING EDGE DESIGN